

Angular Contact Ball Bearings

Bearing No. : **NACHI 7232BDF**

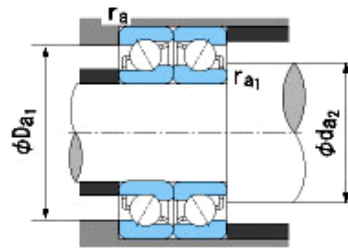
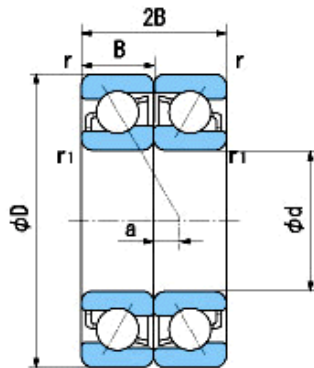
■ Bearing Type

■ Clearance

■ Tolerance Class

Dimensions

$d = 160$
 $D = 290$
 $B = 48$
 $r = 3 \sim 5$
 (Radial Direction)
 $r = 3 \sim 8$
 (Axial Direction)
 $r_1 = 1.1 \sim 2.5$
 (Radial Direction)
 $r_1 = 1.1 \sim 4$
 (Axial Direction)
 $a = 70.4$



Dimensions

$da1(\min) = 174$
 $da2(\min) = 167$
 $Da1(\max) = 276$
 $Da2(\max) = 283$
 $ra(\max) = 2.5$
 $ra1(\max) = 1$
 Mass = 27.4 kg

Basic Dynamic Load Rating C_r : **400,000** N
 Basic Static Load Rating C_o : **575,000** N
 Limiting Speed ;
 Grease Lubrication : **1,400** min^{-1}
 Oil Lubrication : **1,800** min^{-1}

	INNER RING	OUTER RING
O.D.Surface Runout with Side :		-
Axial Runout with Bore :	-	-
Axial Runout with Raceway :	-	-
Width Variation :	0.030	0.030
Radial Runout :	0.030	0.060